



sweden & martina



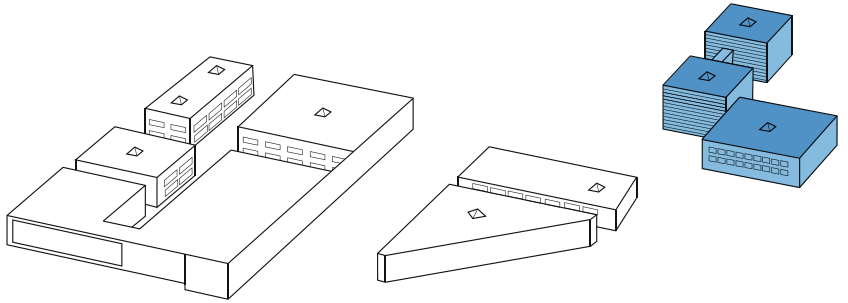


sweden & martina





  
sweden & martina



**MANAGEMENT AND RESEARCH & DEVELOPMENT**  
**TRAINING AND CONGRESS CENTER**  
**CUSTOMER SERVICE AND ADMINISTRATION**

almost **50** years of history

**35** countries served in the world

**23** years of research and manufacturing

more than **5,6** millions implants

**620** scientific publications

**1.200** training days yearly

**71.000** sqm state of the art facility



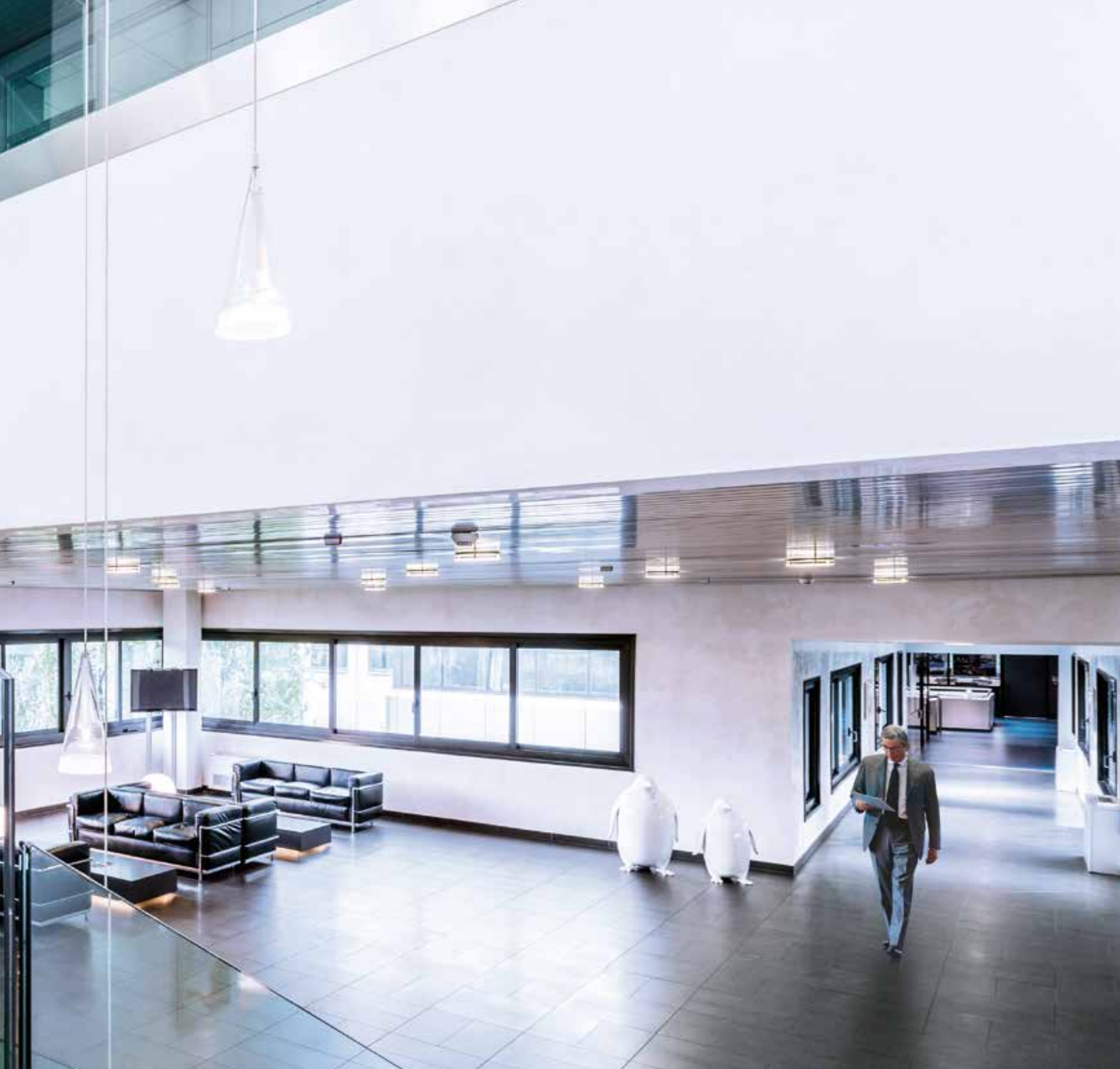












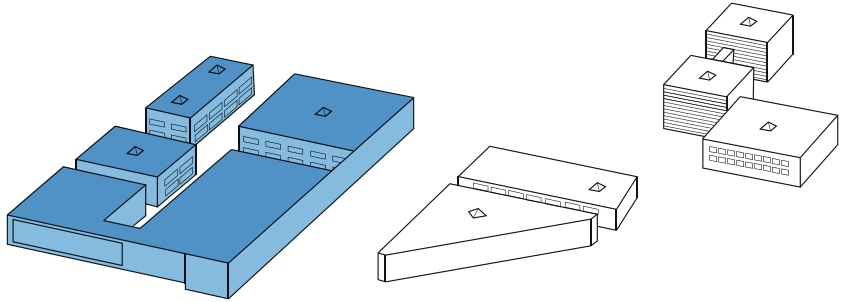












## **MEDICAL BIOENGINEERING AND PRODUCTION BUILDINGS**

Direct production for a complete control  
of the entire manufacturing process

State of the art technologies and equipments  
for sophisticated and patented treatments

Internal Research & Development in constant synergy  
with clinicians and universities from all over the world

Automatic quality control on 100% of the products

One of the largest european cleanrooms



sweden



**A**  
& **martina**



sweden & martina  
Medical engineering and production





  
sweden & martina













Breda & Martina

Gamma 20/6

a 20/6

20/6

20/6

























NU FUMARSI  
NU FUMARSI  
NU FUMARSI  
NU FUMARSI  
NU FUMARSI



AREA IN CUI  
NU FUMARSI  
ATACI SFERA  
EMPIC IUA



NU FUMARSI  
NU FUMARSI  
NU FUMARSI  
NU FUMARSI  
NU FUMARSI















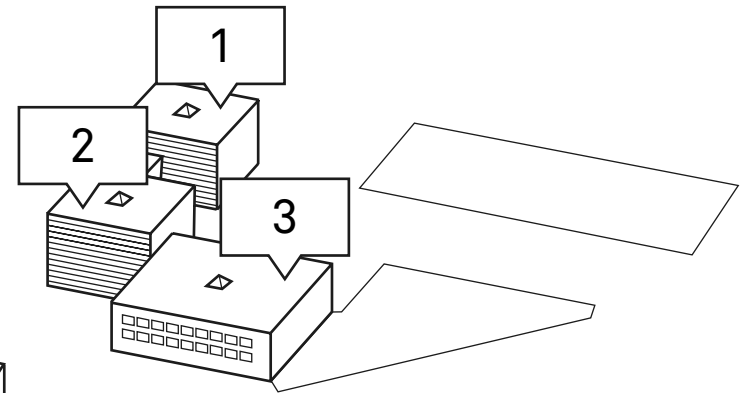
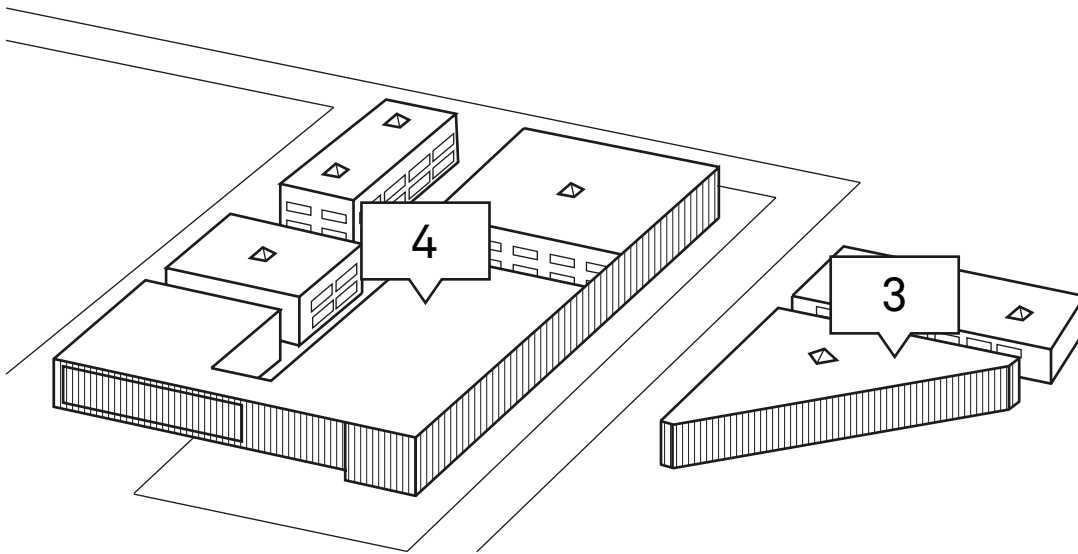
sweden & martina  
C A D - C A M E C H O



# CONTINUOUS GROWTH SINCE 1972

Sweden & Martina is a leading implant manufacturer with headquarters in Italy, branch offices in Spain, France, Portugal, Great Britain and the USA and a net of distributors in Europe, Middle East, Asia and South America.

Continuous commitment to research, training, cooperations and onsite manufacturing with strict quality control in every area of production have catapulted the company's strong national growth and rapid international expansion.



- 
1. MANAGEMENT AND RESEARCH & DEVELOPMENT
  2. CUSTOMER SERVICE AND ADMINISTRATION
  3. LOGISTICS AND WAREHOUSE
  4. MANUFACTURING PLANTS
-

**Sweden & Martina S.p.A.**

Via Veneto, 10  
35020 Due Carrare (PD), Italy  
Tel. +39.049.9124300  
Fax +39.049.9124290

[info@sweden-martina.com](mailto:info@sweden-martina.com)

**Sweden & Martina Mediterranea S.L.**

Sorolla Center, Oficina 801  
Avda Cortes Valencianas 58, 8pl  
46015-Valencia, Spain  
Tel. +34.96.3525895  
Tel. 900535617

[info.es@sweden-martina.com](mailto:info.es@sweden-martina.com)

**Sweden & Martina Lda**

Av. Miguel Bombarda, 35  
1050-161 Lisboa, Portugal  
Tel. 800209839

[info.pt@sweden-martina.com](mailto:info.pt@sweden-martina.com)

**Sweden & Martina Ltd**

Unit 45  
Basepoint Business Centre  
Metcalf Way, Crawley,  
West Sussex, RH11 7XX, UK  
Toll free 0800 1123575

[info.uk@sweden-martina.com](mailto:info.uk@sweden-martina.com)

**Sweden & Martina Inc.**

Distributor for U.S.  
80 Broad Street, 5<sup>th</sup> floor, Suite 502  
New York, NY 10004  
Toll free 1-844-8MARTINA  
(1-844-862-7846)

[info.us@sweden-martina.com](mailto:info.us@sweden-martina.com)  
[www.sweden-martinainc.com](http://www.sweden-martinainc.com)



